



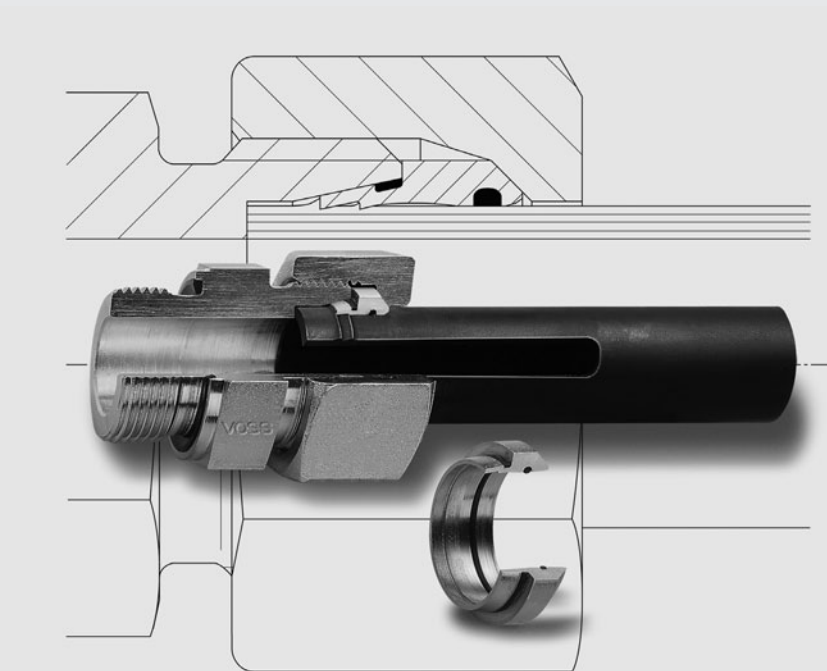
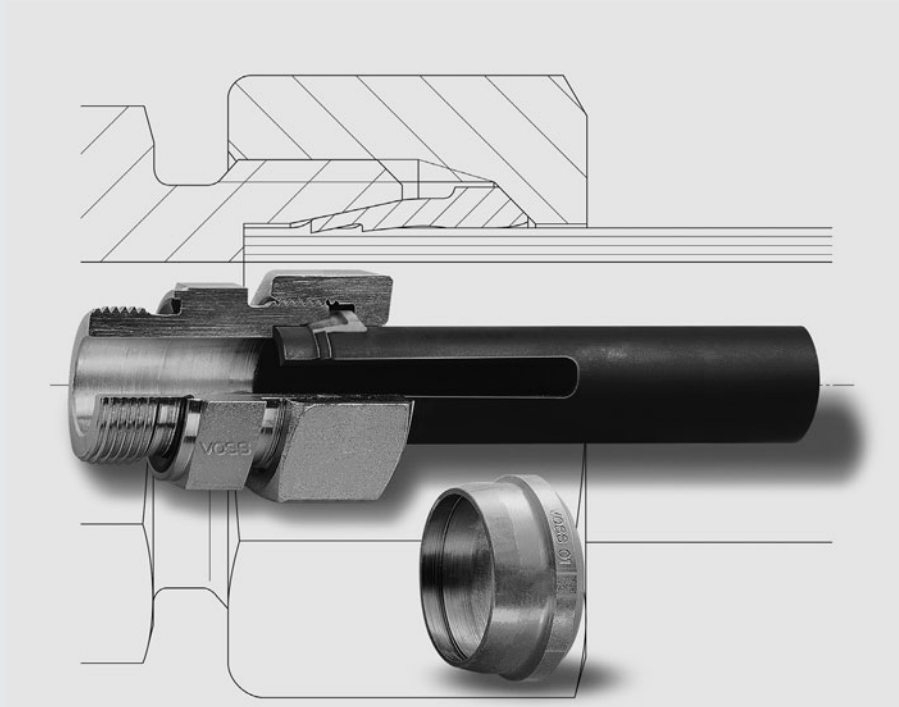
LEHENGOTAK, S.A.

Schneidringverschraubungen

Cutting Ring Couplings

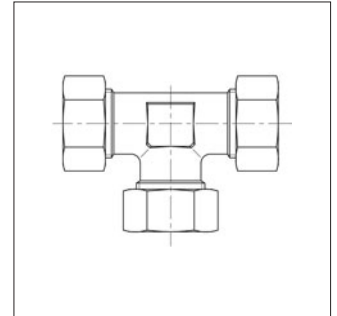
- 2S
- ES-4

- 2S
- ES-4



Erfahrung plus Ideen
Experience plus ideas

T-Verschraubungen Stud branch tees



| Typ Type | 2S (MG 1) Bestell-Nr. OrderNo. | €/100 ¹⁾ €/100 ¹⁾ | ES-4 (MG 14) Bestell-Nr. Order №. | €/100 ¹⁾ €/100 ¹⁾ | ** (MG 1) Bestell-Nr. Order No. | €/100 ¹⁾ €/100 ¹⁾ |
|-------------|--------------------------------------|--|---|--|---------------------------------------|--|
| LL 4 | | | | | 0733002000* | 500,30 |
| LL 6 | | | | | 0733102000 | 500,30 |
| LL 8 | | | | | 0733152000 | 607,23 |
| L 6 | 0134002007* | 753,50 | 0134002009* | 1.180,04 | 0734002000 | 532,24 |
| L 8 | 0134052007 | 814,96 | 0134052009 | 1.273,47 | 0734052000 | 571,57 |
| L 10 | 0134102007 | 903,46 | 0134102009 | 1.445,54 | 0734102000 | 626,89 |
| L 12 | 0134152007 | 1.086,62 | 0134152009 | 1.711,06 | 0734152000 | 754,74 |
| L 15 | 0134202007 | 1.419,73 | 0134202009 | 2.233,46 | 0734202000 | 984,61 |
| L 18 | 0134252007 | 1.958,11 | 0134252009 | 3.204,54 | 0734252000 | 1.224,29 |
| L 22 | 0134302007 | 2.775,54 | 0134302009 | 4.321,90 | 0734302000 | 1.787,26 |
| L 28 | 0134352007 | 4.484,14 | 0134352009 | 6.265,26 | 0734352000 | 2.821,02 |
| L 35 | 0134402007 | 6.045,23 | 0134402009 | 9.228,88 | 0734402000 | 3.854,79 |
| L 42 | 0134452007 | 8.574,95 | 0134452009 | 12.826,77 | 0734452000 | 6.082,12 |
| S 6 | 0134502007 | 864,12 | 0134502009 | 1.290,67 | 0734502000 | 624,43 |
| S 8 | 0134552007 | 948,96 | 0134552009 | 1.407,44 | 0734552000 | 690,83 |
| S 10 | 0134602007 | 1.100,15 | 0134602009 | 1.642,23 | 0734602000 | 760,89 |
| S 12 | 0134652007 | 1.202,15 | 0134652009 | 1.826,61 | 0734652000 | 814,96 |
| S 14 | 0134702007 | 2.158,49 | 0134702009 | 3.546,25 | 0734702000 | 1.524,22 |
| S 16 | 0134752007 | 2.022,03 | 0134752009 | 3.134,48 | 0734752000 | 1.247,64 |
| S 20 | 0134802007 | 3.182,41 | 0134802009 | 4.571,41 | 0734802000 | 2.072,45 |
| S 25 | 0134852007 | 4.777,92 | 0134852009 | 6.791,36 | 0734852000 | 2.878,82 |
| S 30 | 0134902007 | 6.185,37 | 0134902009 | 9.030,99 | 0734902000 | 3.817,92 |
| S 38 | 0134952007 | 9.271,90 | 0134952009 | 12.875,94 | 0734952000 | 5.919,87 |

* Beispiel Bez. Vergl.:
T06L
T06ZL
T04LLX

** rohrseitig ohne Überwurfmutter
und Schneidring
¹⁾ € / 100 Stück, Stahl

* Sample product code:
T06L
T06ZL
T04LLX

** without union nut and cutting
ring at tube end
¹⁾ € / 100 Pieces, steel